

Part number

CHV 06 L16



Brief description:

hoods for single lever, size "44.27", top entry, Pg16, metal version, IP66



Product description

Version	metal version
Series	hoods for single lever
Product type	with 2 pegs
Variant	top entry
Family	CLASS enclosures
Size	size "44.27"

Technical data

Material	metal
IP degree of protection	IP66 (and IP69K DIN 40050 - 9)
Cable entry	Pg16

Further technical details

Weight	80,00 g
--------	---------

Approvals / Standards

Quality mark	 (type:4/4X/12),  , EAC
Conformity	CQC, CE

General ordering information

EAN13 code	8015747024167
Tariff number	85369095

Packaging Information

Packaging length	140,00 mm
Packaging height	130,00 mm
Packaging width	225,00 mm
Packaging weight	2,00 kg
Packaging volume	4,10 dm ³
Packaging description	Carton box
Packaging quantity	20 Pcs
Packaging EAN code	8015747024174
Sub-packaging weight	0,50 kg
Sub-packaging description	Plastic packaging
Sub-packaging quantity	5 Pcs
Sub-packaging EAN barcode	8015747024181

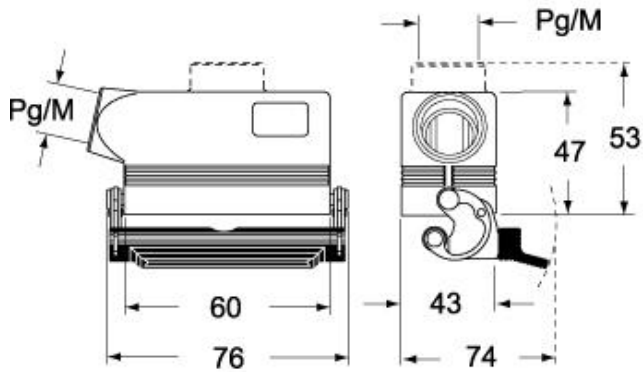
Part number

CHV 06 L16

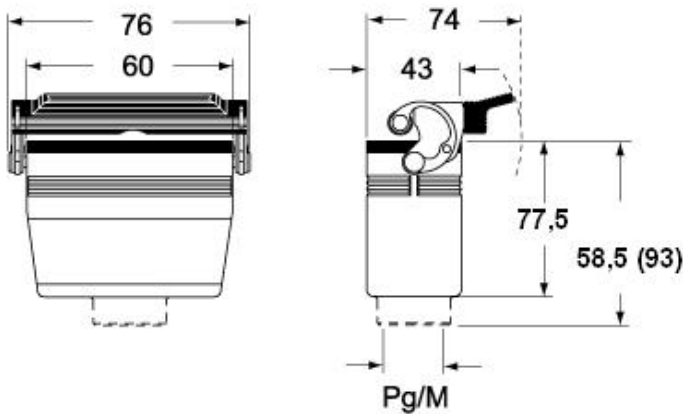


Catalogue drawings

CHO LX CHV LX - MHO LX MHV LX



CHV LG (CAV LG), MHV LG (MAV LG) [MFV LG]



CHO L (CAO L) - MHO (MAO/MFO/MFV L) MHV L [MAV L]

